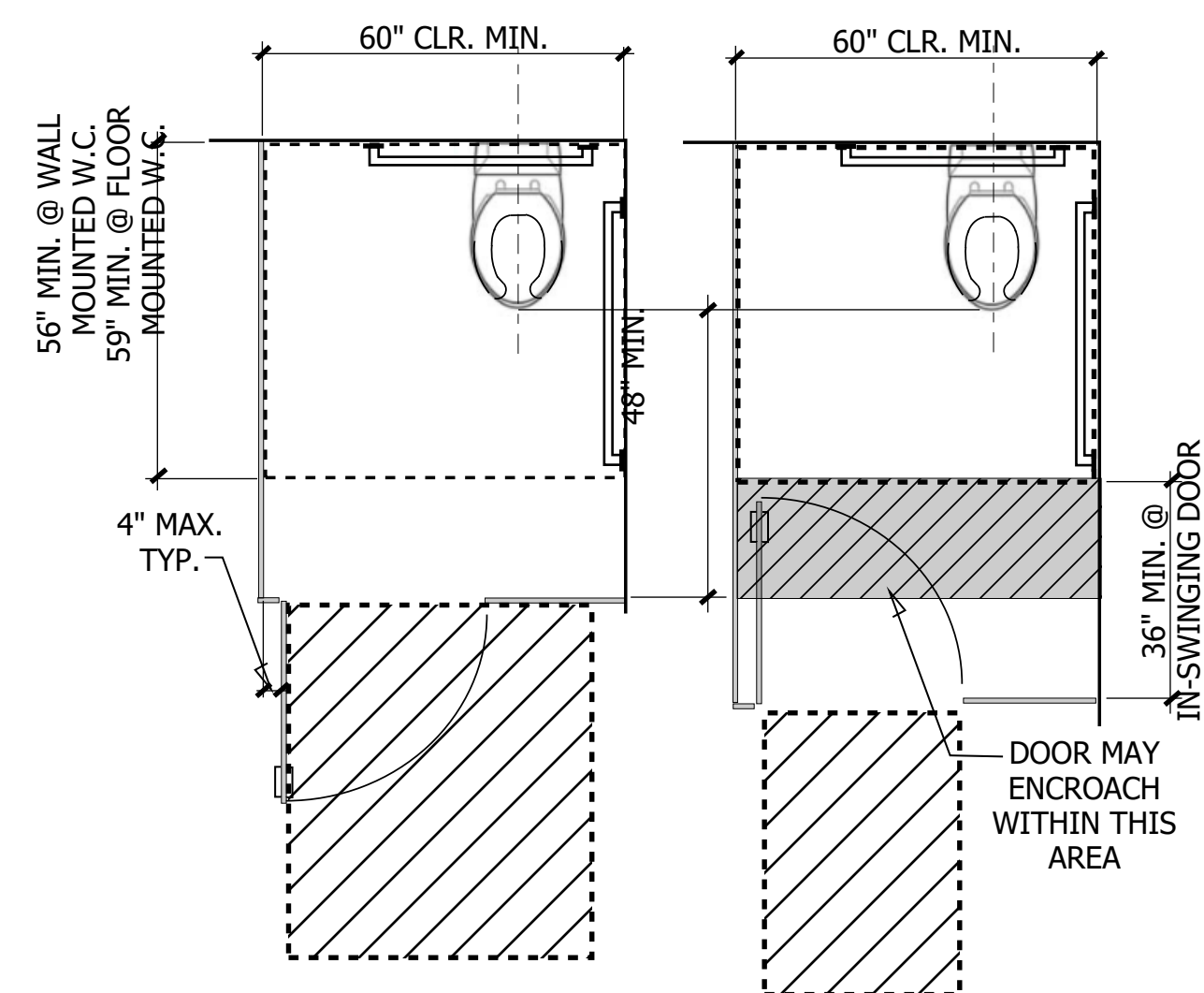
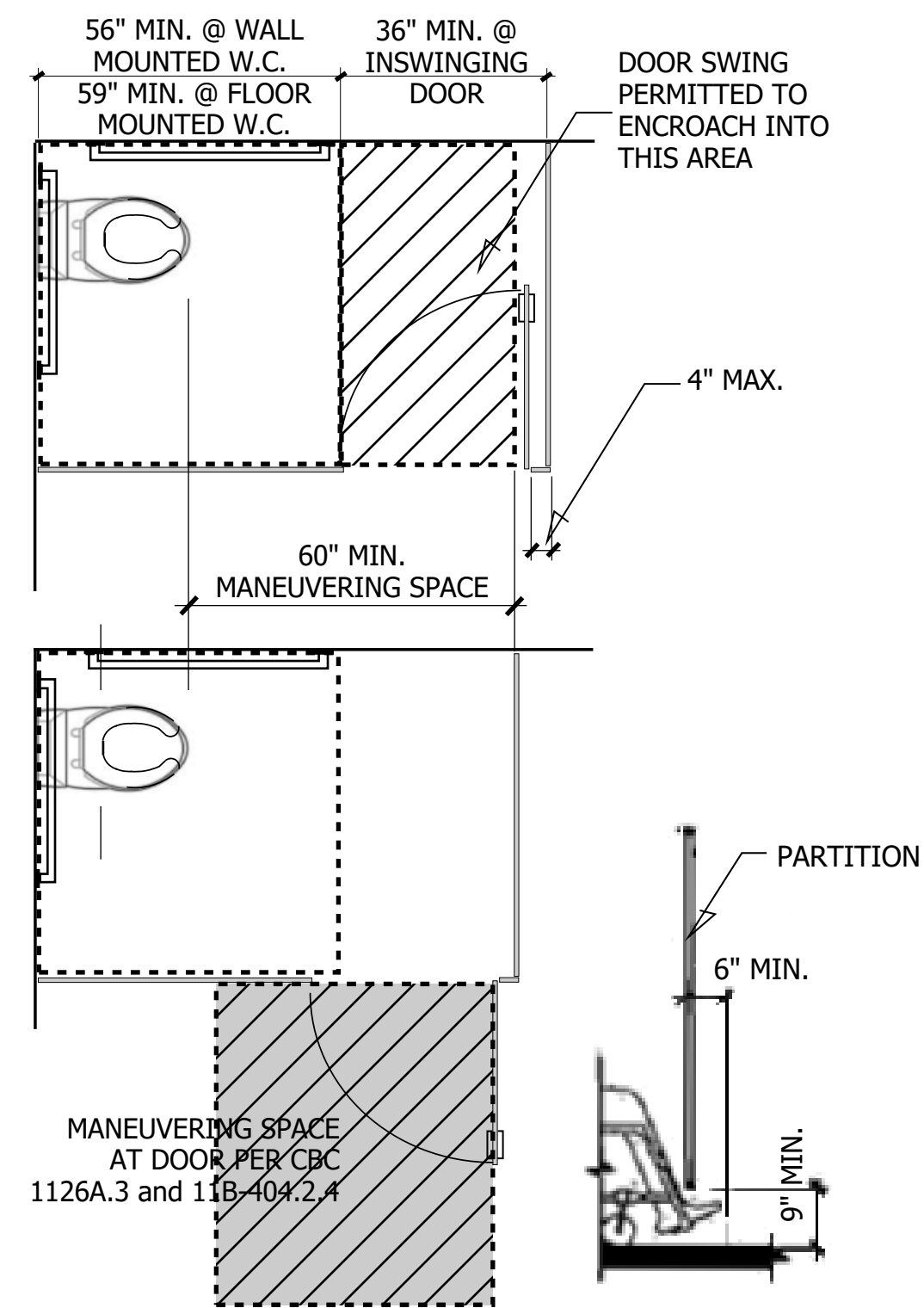


4. **Maneuvering Space for End-Opening Doors** [CBC 11B-604.8.1.1.3]. In wheelchair compartments with an in-swinging or out-swinging end-opening door, located within the front partition or wall, a minimum 60-inch wide by 48-inch deep maneuvering space shall be provided in front of the water closet.
5. **Doors** [CBC 11B-604.8.1.2]. Toilet compartment doors shall comply with the accessible door provisions of CBC 11B-404 except that if the approach is from the push side of the compartment door the clearance between the door side of the compartment and any obstruction shall be 48 inches minimum measured perpendicular to the door in a closed position. Doors shall be placed in the front or side partition/wall furthest from the water closet. Where located in the front wall, the door opening shall be shown a maximum of 4-inches from the side partition/wall furthest from the water closet and where located in the side partition/wall, the door opening shall be shown a maximum of 4-inches from the front partition/wall. The door shall be self-closing and shall have a door pull complying with the door hardware requirements of CBC 11B-404.2.7 placed on both sides of the door near the latch. The hardware shall be mounted between 34-inches minimum to 44-inches maximum AFF and shall also comply with the provisions of operable parts provisions of CBC 11B-309 as required by CBC 11B-205.



MANEUVERING SPACE AT DOORS PER
CBC 1126A.3 and 11B-404.2.4

FRONT APPROACH



SIDE APPROACH

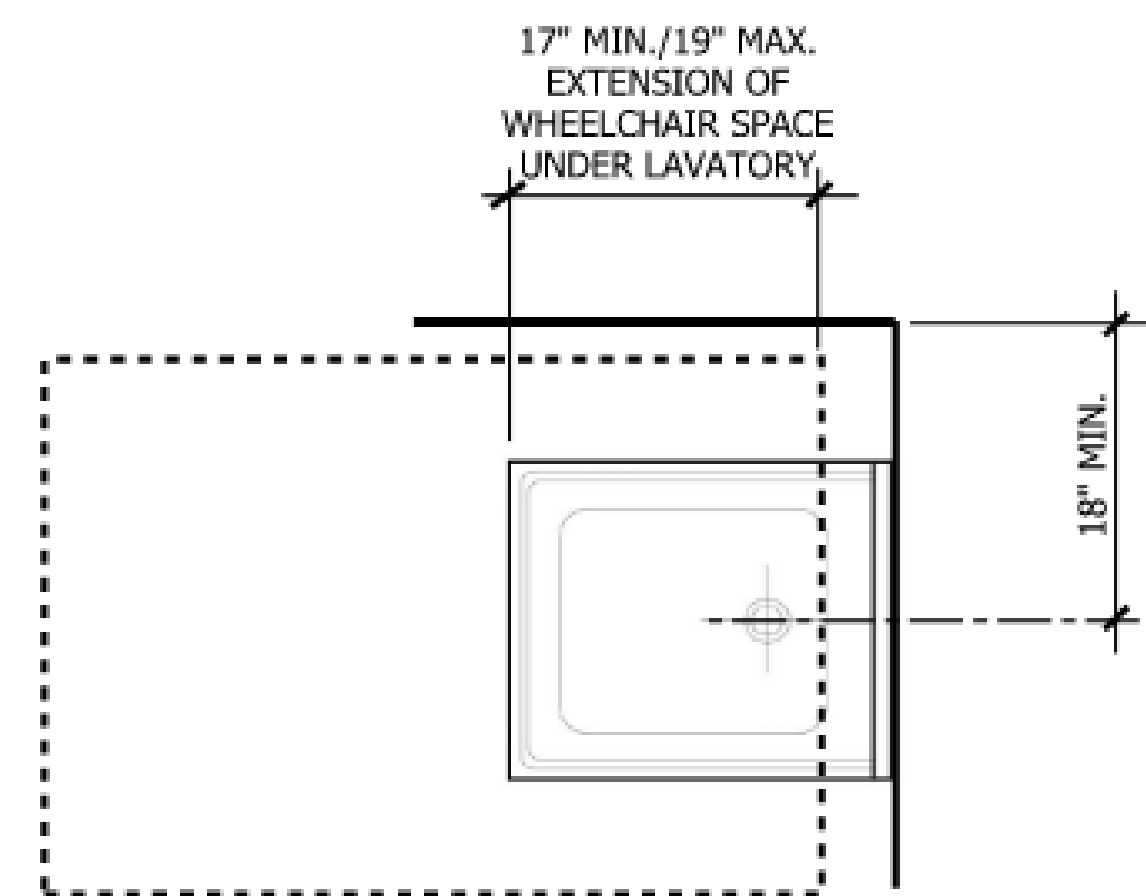
TOE CLEARANCE

G. Toilet Compartments [CBC 11B-604.8]

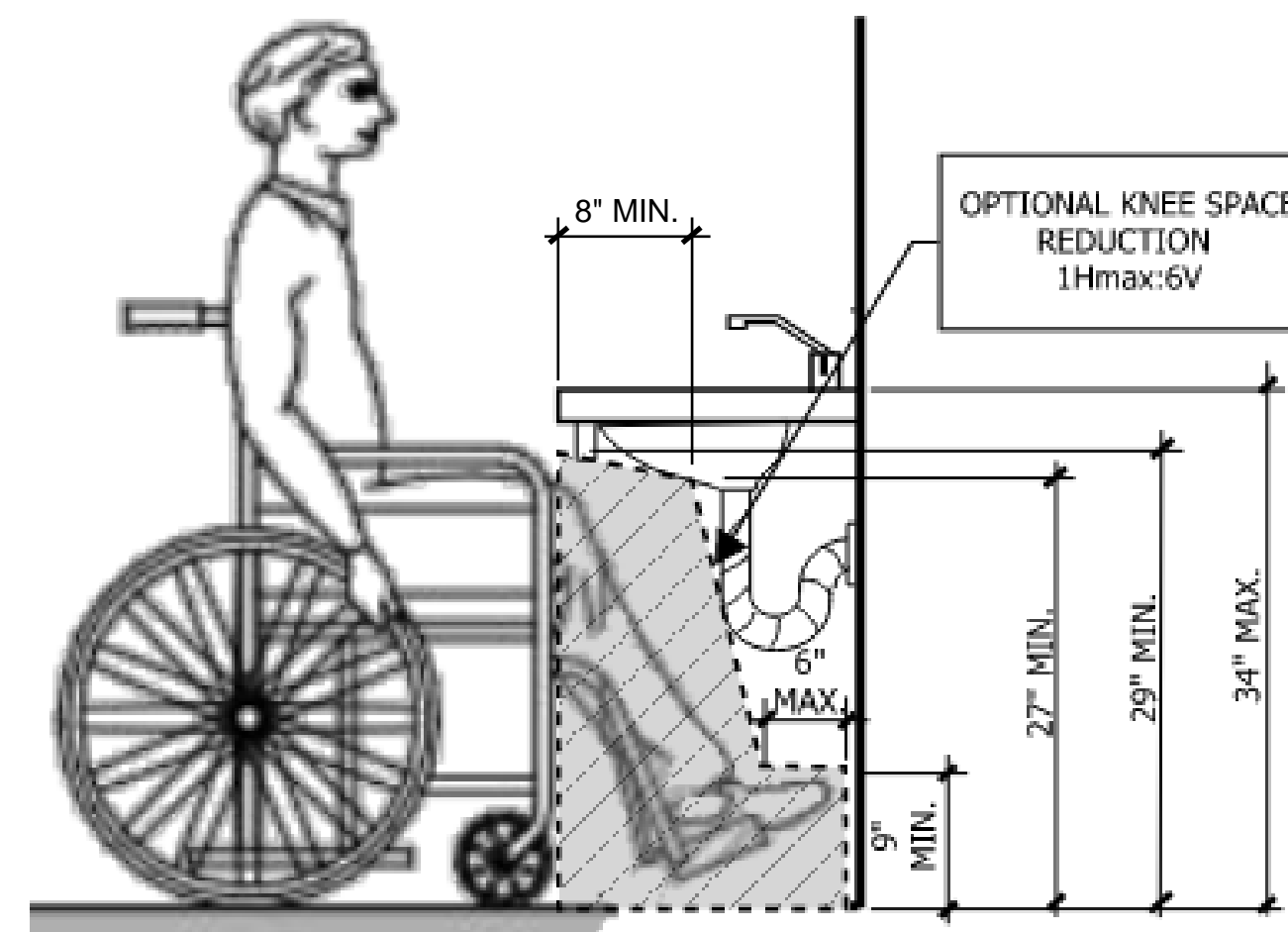
1. **Wheelchair Accessible Toilet Compartments: General** [CBC 11B-604.8.1]. Except for wheelchair accessible toilet compartments for children, besides the general provisions of CBC 11B-603 for hooks and shelves where provided, wheelchair accessible toilet compartments shall be shown in compliance with CBC 11B-604.8.1. The clear floor space around the water closet of wheelchair accessible toilet compartments shall be minimum 60-inches wide by at least 56-inches deep for wall hung water closets and 59-inches deep for floor mounted water closets. Wheelchair accessible toilet compartments shall additionally provide a maneuvering space complying with CBC 11B-604.8.1.1.1 for in-swinging doors, as well as either CBC 11B-604.8.1.1.2 for side-opening doors or 11B-604.8.1.1.3 for end-opening doors. For children the clear floor space shall be shown 59-inches deep.
2. **Maneuvering Space for In-Swinging Doors** [CBC 11B-604.8.1.1.1]. In wheelchair compartments with an in-swinging door, a minimum 60-inch wide by 36-inch deep maneuvering space shall be provided in front of the clear floor space required by CBC 11B-604.8.1.1.
3. **Maneuvering Space for Side-Opening Doors** [CBC 11B-604.8.1.1.2]. In wheelchair compartments with a side-opening (in-swinging or out-swinging) door, located in a side partition or wall, a minimum 60-inch wide and 60-inch deep maneuvering space shall be provided in front of the water closet.

E. Lavatories [CBC 11B-606]

1. **Positioning** [CBC 11B-606.6]. The centerline of the lavatories shall be at least 18-inches from side walls or partitions.
2. **Maximum Height** [11B-606.7]. The height of lavatories/lavatory counters shall be 34-inches maximum.
3. **Clear Floor Space** [CBC 11B-606.2].
 - 3a. **General.** A 30-inch wide by 48-inch deep clear floor space that complies with CBC 11B-305, positioned for a forward approach, and with the toe and knee space provisions of CBC 11B-306 for a wheelchair shall be provided at lavatories.
 - 3b. **Toe Space** [CBC 11B-306.2]. A toe space 9-inches AFF minimum and 6-inches deep maximum shall extend a minimum of 17-inches minimum/19-inches maximum under the lavatory/lavatory counter.
 - 3c. **Knee Space** [CBC 11B-306.3]. The knee space at the front edge of the lavatory/lavatory counter shall be 29-inches AFF minimum and a minimum of 27-inches AFF at a minimum depth of 8-inches. Furthermore, between 9-inches AFF and 27-inches AFF the knee space may be reduced 1-inch maximum horizontally for every 6-vertical inches.
4. **Operable Parts** [CBC 11B-606.4]. Operable parts shall be shown to comply with CBC 11B-309 as required by CBC 11B-205. Operable parts that need to be reached at the lavatories shall be no further back from the front edge of the lavatory/lavatory counter than the wheelchair space is allowed to extend below. Operable parts shall not require the twisting of the wrist, tight grasping, or pinching, and shall be activated by a force not to exceed 5-pounds. Hand-operated metering faucets shall remain open for at least 10-seconds.]
5. **Exposed Pipes and Surfaces** [CBC 11B-606.5]. Water supply lines and drain lines shall under lavatories shall be insulated or otherwise protected against contact and there shall be no sharp or abrasive surfaces under the lavatories.



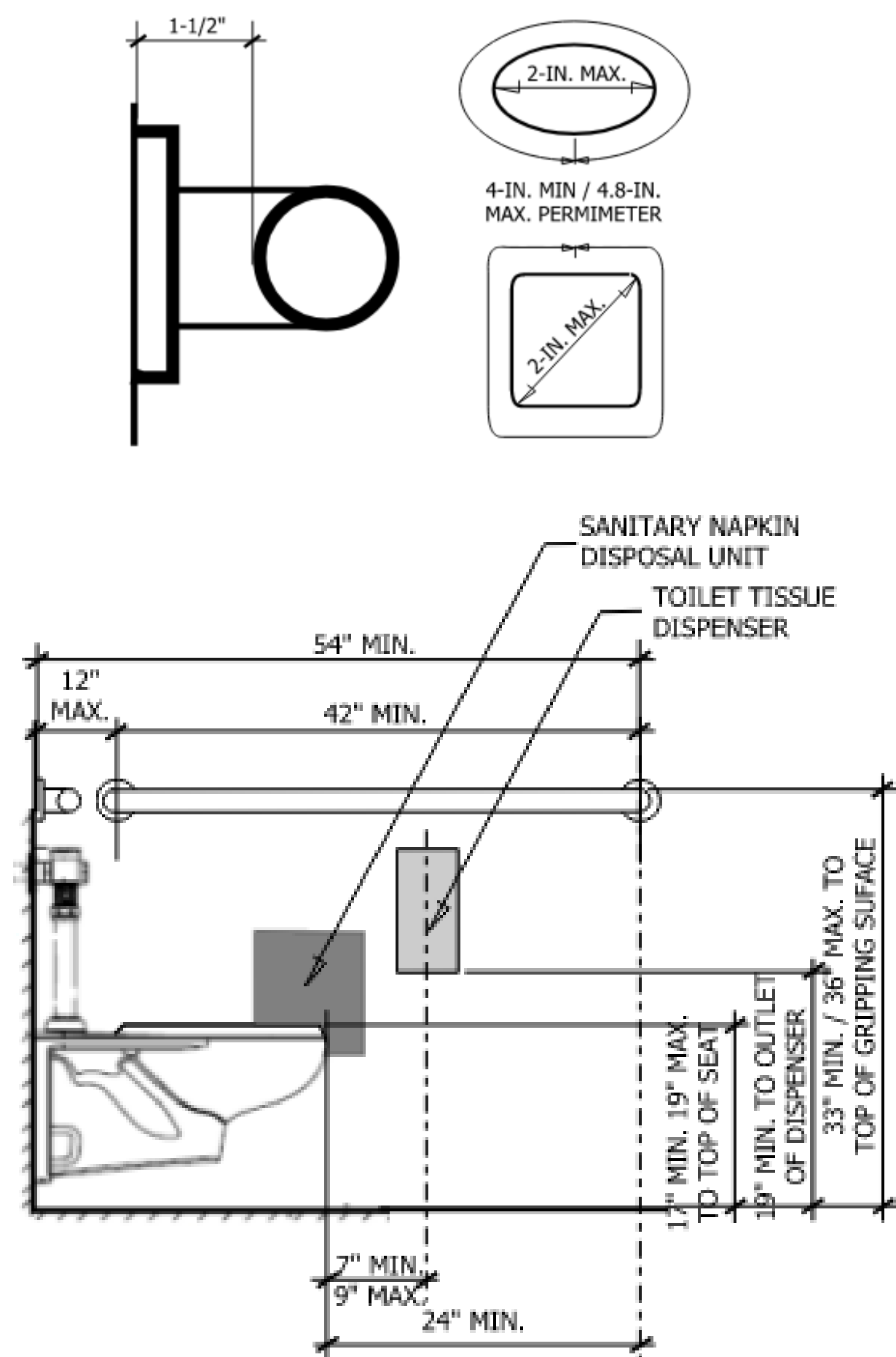
PLAN VIEW



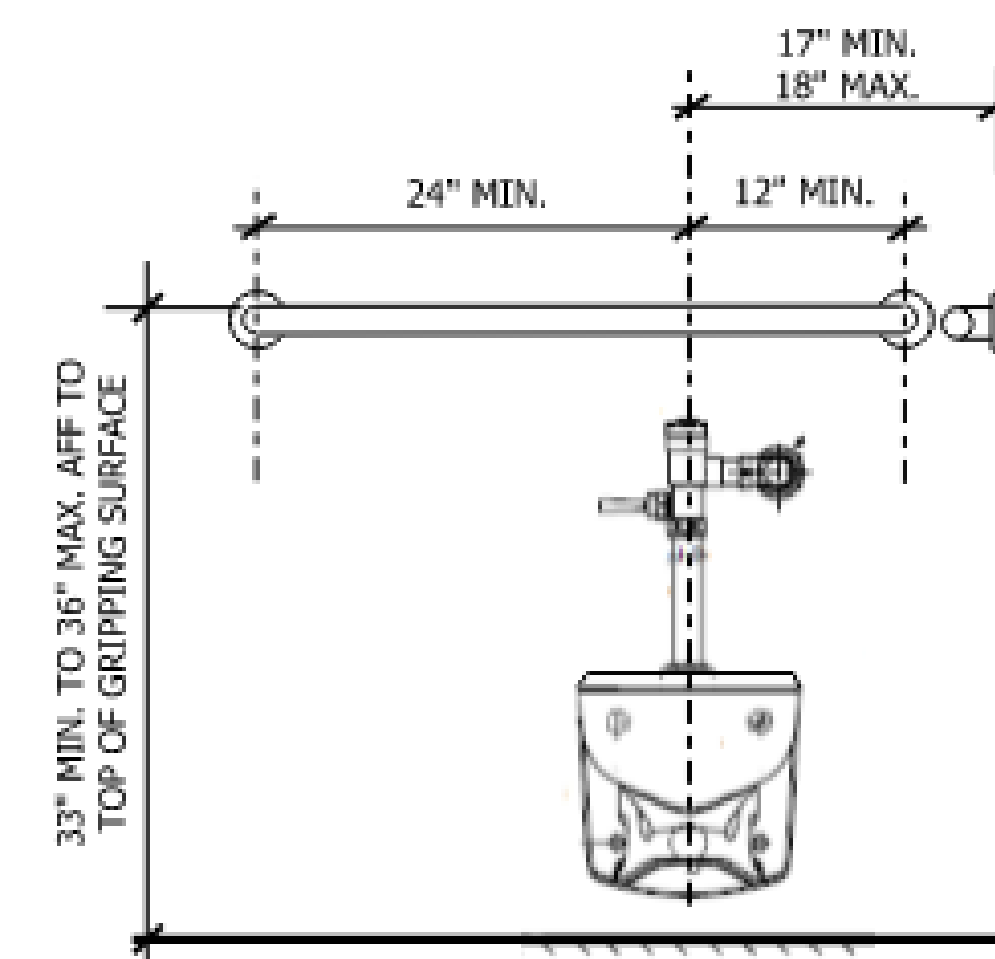
ELEVATION

F. Urinals [CBC 11B-605 and 1209.3.2]

1. **Accessible Urinals** [CBC 11B-605]. Where accessible urinals are provided, the rim of urinals shall be 17-inches maximum AFF and the depth of urinal shall be at least 13-1/2 inches.
2. **Privacy** [CBC 1209.3.2]. And except in single-user, family, or assisted-use restroom facilities, and for child day care facilities as permitted by CBC 1209.3.2, urinals shall also have walls or partitions that provide privacy. Where partitions are provided the height of the bottom of the partitions shall not exceed 12-inches AFF and the partition shall extend to a minimum height of 60-inches AFF. The walls or partitions shall extend on each side of the urinal not less than 18-inches from the rear wall or to a point not less than 6-inches beyond the outermost lip, whichever is greater.



SIDE VIEW



FRONT VIEW

- 4c. **Rear Wall Grab Bars** [CBC 11B-604.5.2]. Minimum 36-inch long grab bars shall be provided on the rear wall behind the water closets with the end closest to the rear wall or partition a minimum of 12-inches from the centerline of the water closet to the centerline of the escutcheon plate and the other end a minimum of 24-inches. Within ambulatory accessible water closets that does not permit the installation of a 36-inch long rear wall grab bar, the minimum length may be 24-inches.
- 4d. **Flush Controls** [CBC 11B-604.6]. Flush controls for wheelchair accessible water closets shall be shown on the open side a maximum of 44-inches AFF and flush controls shall also comply with the other provisions of CBC 11B-309 for operable parts.
- 4e. **Toilet Tissue Dispensers** [CBC 11B-604.7.1]. The vertical centerline of toilet tissue dispensers shall be shown between 7-inches minimum to 9-inches maximum from the front lip of the water closet bowl and a minimum of 19-inches AFF as measured to where the tissue dispenses. Toilet tissue dispensers shall be of the type that allows a continuous paper flow.
- 4f. **Sanitary Napkin Dispensers** [CBC 11B604.7.2]. Where provided, sanitary napkin disposal units shall be provided between the toilet tissue dispenser and the rear wall behind the water closet a minimum of 19-inches AFF to the dispenser inlet.

TOILET AND BATHING FACILITIES

DATE